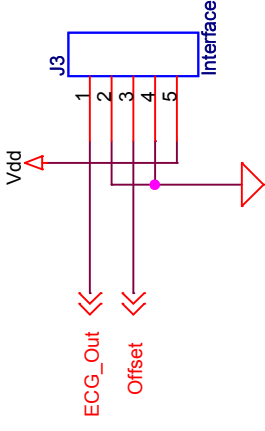
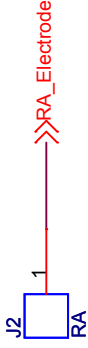
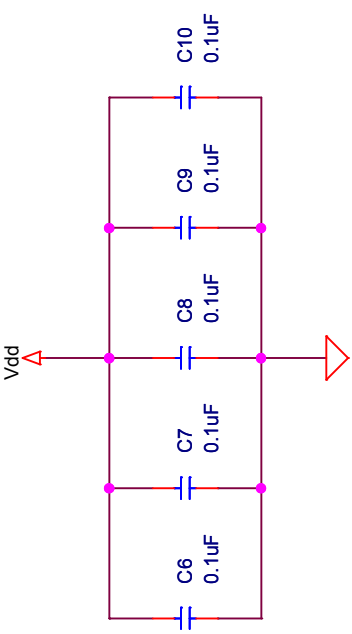


Title		
2 Lead ECG Prototype Breakout (Analog)		
Size	Document Number	Rev
A	Matthew Shieh	A
Date:	Wednesday, June 03, 2009	Sheet 1 of 3



Title		2 Lead ECG Prototype Breakout (IO)	
Size	A	Document Number	Matthew Shieh
Rev	A	Date:	Tuesday, May 19, 2009
		Sheet	2 of 3



Title		2 Lead ECG Prototype Breakout (Power)	
Size	A	Document Number	Matthew Shieh
Date:		Tuesday, May 19, 2009	Sheet 3 of 3